



RIECO-TITAN PRODUCTS INC.

Camper Dolly

ASSEMBLY INSTRUCTIONS





Rieco-Titan Products, Inc.

965 Lambrecht Road ♦ Frankfort, IL 60423
(815)464-7400 ♦ Fax(815)469-4705
email:riecotitan@att.net
www.riecotitan.com

RIECO-TITAN CAMPER DOLLY ASSEMBLY INSTRUCTIONS 8-15-07

The camper dolly is made up of the following parts: (Please make sure you have all of these parts before you start.)

- | | |
|--------------------------------------|-----------------------------|
| 2 Side rails 2 1/2" x 2 1/2" x 6' L | HARDWARE: |
| 2 Cross rails 2 1/2" x 2 1/2" x 4' L | 32 3/8"-16 x1 Hex Hd. Bolts |
| 2 LH Legs (un-labeled) | 32 3/8"-16 Hex Locknuts |
| 2 RH Legs (labeled) | 64 3/8" washers |
| 2 Swivel casters with locks | |
| 2 Rigid casters | |

Tools Required: 9/16" open end wrench & an adjustable wrench.

1. The first step is to bolt the legs to the side rails. The LH leg should be installed on one end and the RH leg on the other end so that when the frame is fully assembled both LH and both RH legs are on opposite corners. Use the bolts, washers and lock nuts furnished, with bolt heads out. (See Figures 1 & 5)

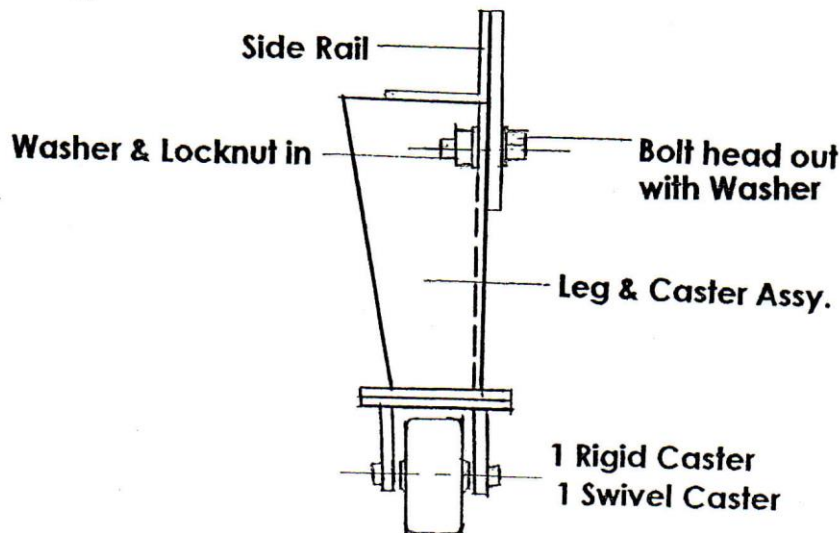


Figure 1.

2. The next step is to bolt the cross rails to the side rails after the desired width is determined. The cross rails have slotted holes in them in both flanges of the angle on each end. The dolly can accommodate campers of 43 1/2" to 48 1/2" wide. Select the slotted holes for your camper width.

The slotted holes that are 1/2" from each end of the cross rail are to be used for campers that are 45 1/2" to 48 1/2" wide. Bolt thru these holes into the leg.

The slotted holes that are about 2" from each end should be used for campers 43 1/2' to 45 1/2" wide. Bolt thru these holes into the leg. See the cross rail sketch below: (Figure 2.)

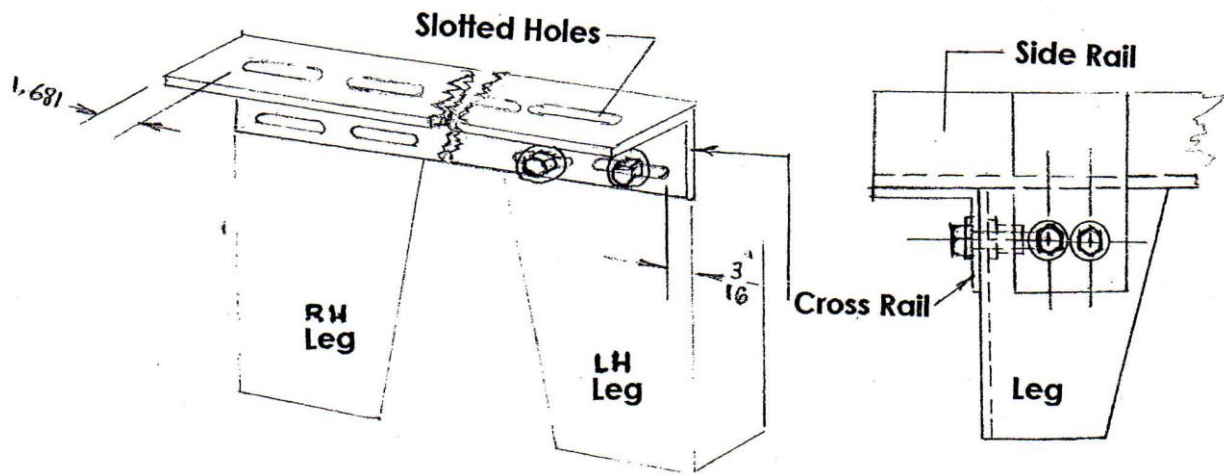


Figure 2.

3. Next bolt the casters to the legs. Use bolts, washers, and locknuts furnished, with bolt heads up. Two legs have swivel casters with locks and two legs have rigid casters. Both swivel casters are on the rear end of the dolly and both rigid casters are on the front end of the dolly. (See Figure 3)

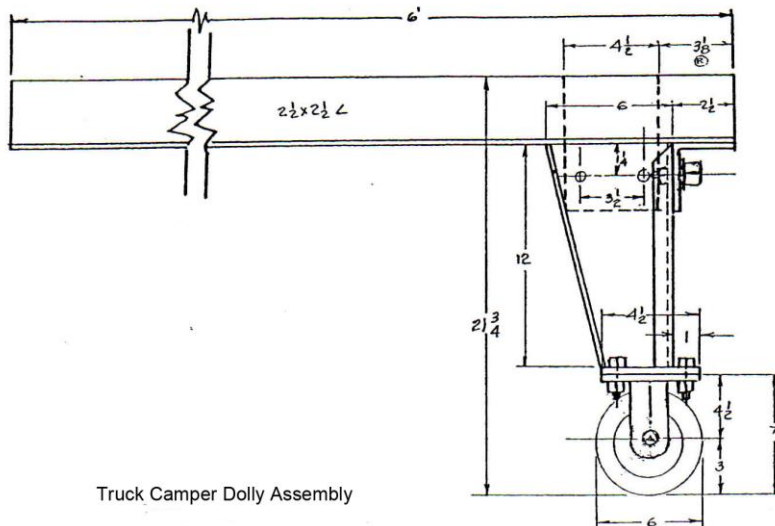


Figure 3.

4. The finished assembly should have the components arranged as shown below:

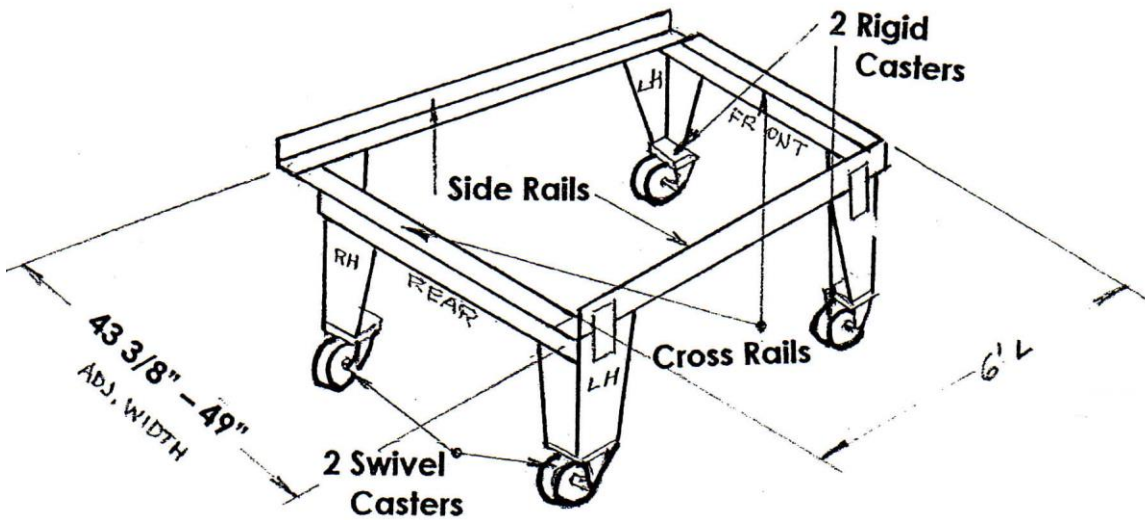


Figure 4.

If you have any questions, call us toll free at (866) 403- 9803.

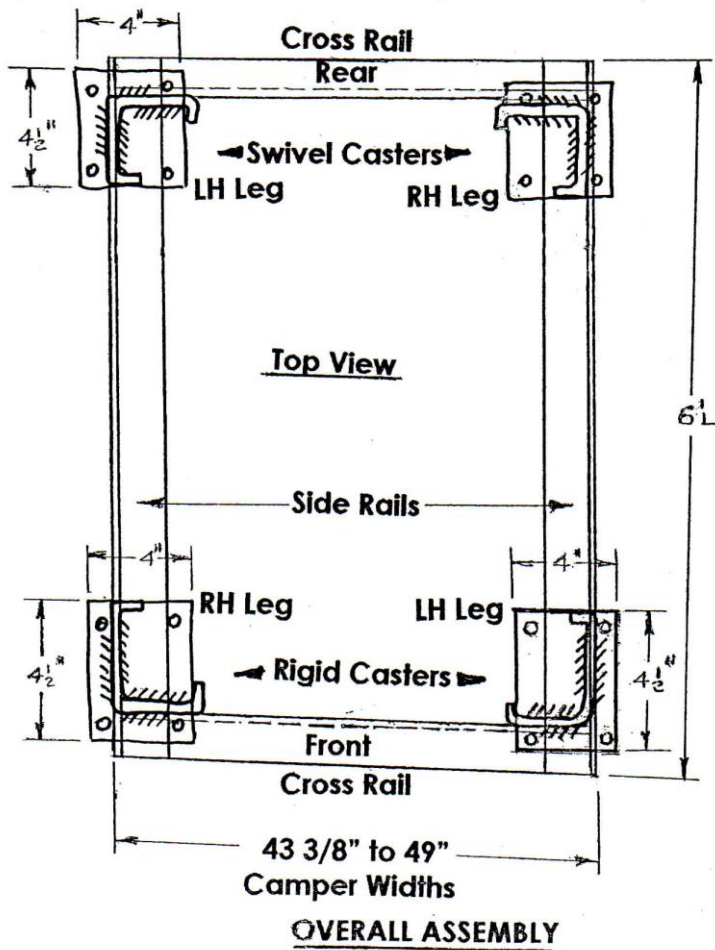


Figure 5.