

RIECO-TITAN CAMPER JACK

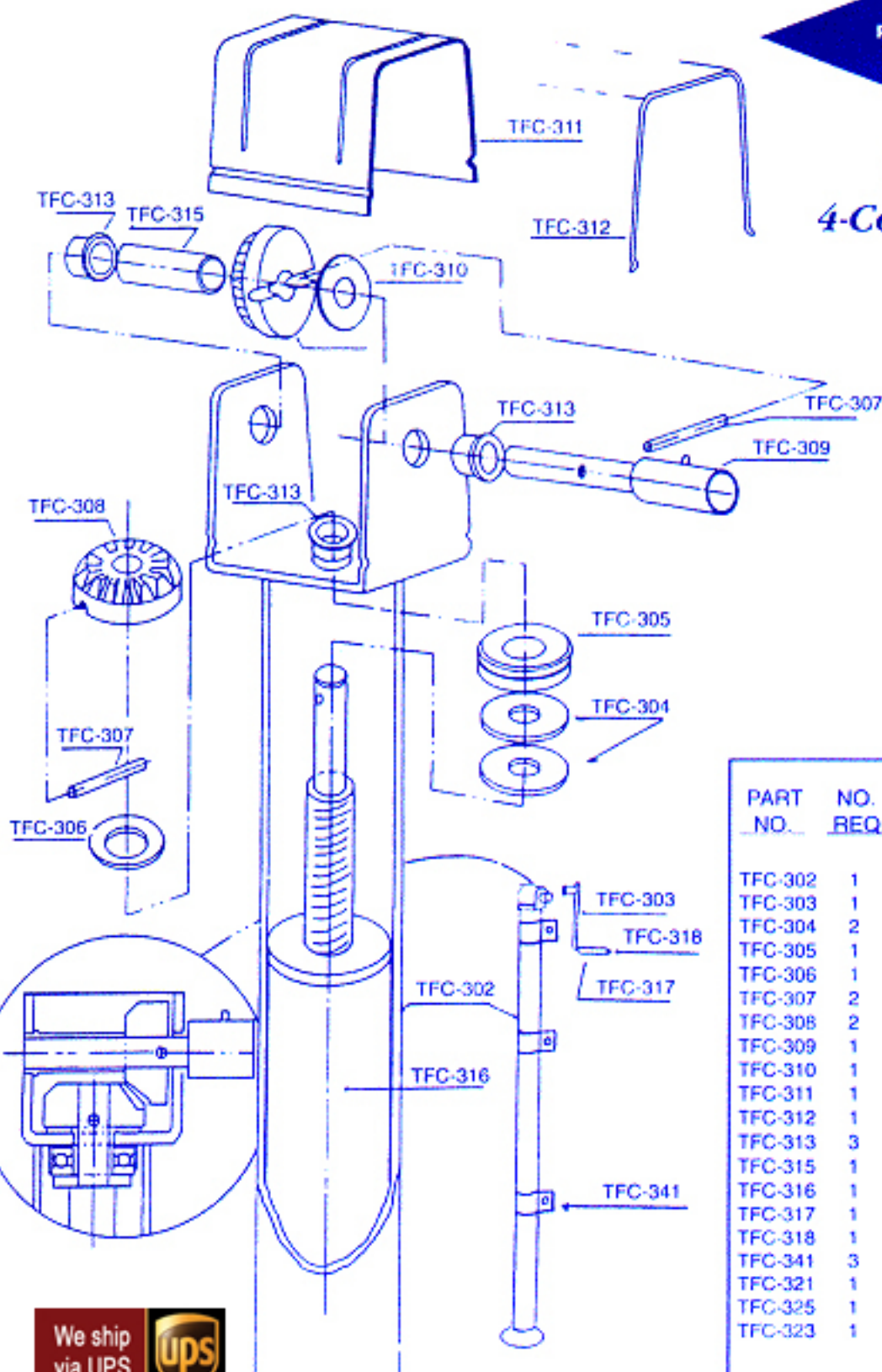
PARTS LIST



(MECHANICAL)

4-Corner Camper Jack

2000 lbs.



PART NO.	NO. REQ.	DESCRIPTION
TFC-302	1	Jack Screw Assembly with outer tube
TFC-303	1	Crank Handle
TFC-304	2	Thrust Bearing Washer
TFC-305	1	Thrust Bearing
TFC-306	1	Bottom Gear - Spacer Washer
TFC-307	2	Gear Drive Pin
TFC-308	2	Gear
TFC-309	1	Crank Shaft
TFC-310	1	Crank Gear - Spacer Washer
TFC-311	1	Gear Cover
TFC-312	1	Gear Cover - Retaining Wire
TFC-313	3	Bushing
TFC-315	1	Spacer Tube
TFC-316	1	Jack Screw - Inner Tube Assembly
TFC-317	1	Plastic Crank Tube
TFC-318	1	End Stop - Press Nut
TFC-341	3	C-Clamps
TFC-321	1	14" Std. T Bracket
TFC-325	1	14" H.D. T Bracket
TFC-323	1	5" T Bracket

We ship
via UPS

